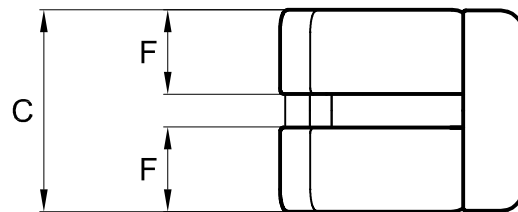
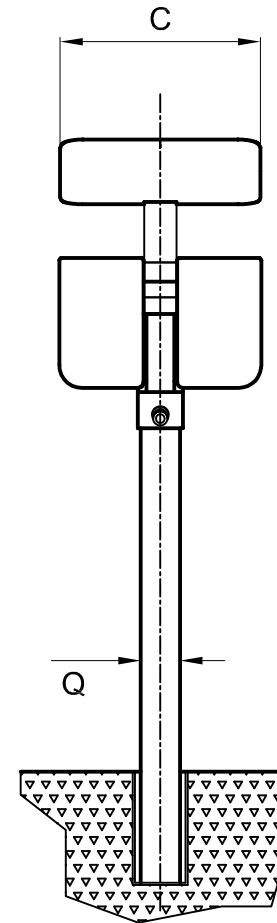
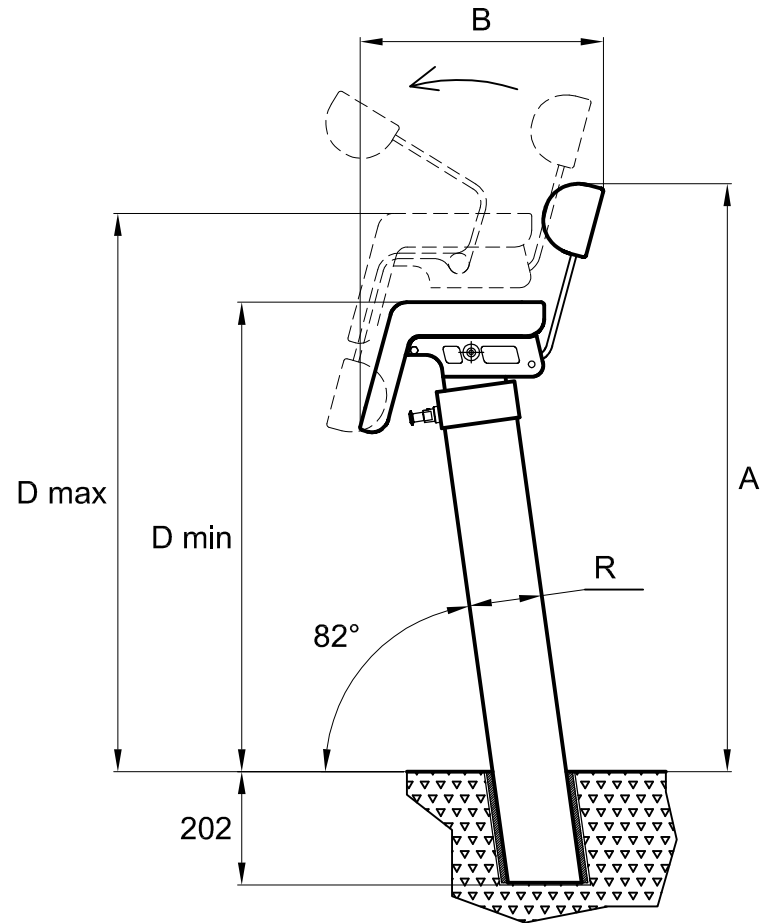


A (mm)	≈ 1130
B (mm)	≈ 435
C (mm)	360
D (mm)	840 - 1000
F (mm)	150
Q (mm)	70
R (mm)	160
Weight (Kg)	35



The padding could vary the sizes of few centimeters



Product

P 342

Helm Seat